

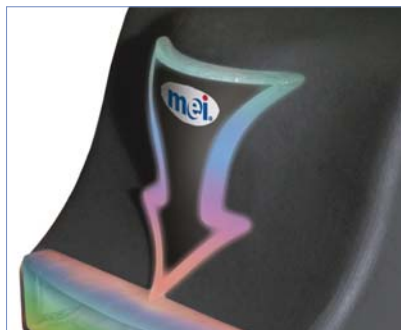
# MEI CASHFLOW® VN2700 Bill Validator



## Feature-rich improved platform

- Validates \$1 – \$20
- Recycler ready – Future proof your investment
- Improved sensors/security
- Attract more attention with optional high-visibility bezel
- Series 2000 proven reliability

*Uses series 2000 bill validator technology, the industry's best-selling product with over two million units sold.*



**High-visibility bezel option**  
strokes through a wide range of colors



**Recycler ready:**  
The VN2700 bill validator is field upgradable with recycler module

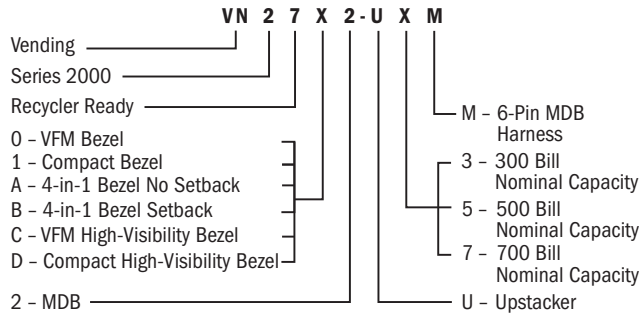
**mei** | cashflow®  
series 2000

[www.meigroup.com](http://www.meigroup.com)

# MEI CASHFLOW® VN2700 Bill Validator

## CONFIGURATION AND OPTIONS

### Configuration Sample



### Options/Accessories

Part Number	Description
250066027	Series 2000 Locking Hasp Kit (two per box)
250061038	Armored Bezel

### Magazine Options

Part Number	Description
250061016	300 Bill Magazine
250069017	500 Bill Magazine
250068021	700 Bill Magazine



Options can be easily customized on location via a simple-to-use configuration coupon.

## SPECIFICATIONS

### Acceptance Rate

- 95% or greater for \$1, \$2, \$5, \$10 and \$20 U.S. bills

### Bill Insertion

- Lengthwise, four-way (face up or down, either direction)

### Transaction Speed

- Approximately 4 seconds (from bill insertion to completed bill-stacking)

### Interfaces

- MDB

### Power Sources

- 22 to 45 VDC

### Power Consumption (without recycler)

- Standby: 5 Watts
- Acceptance: 10 Watts
- Full Stack Max: 20 Watts

### Escrow Supported

### Approximate Shipping Weight

- 4 pounds

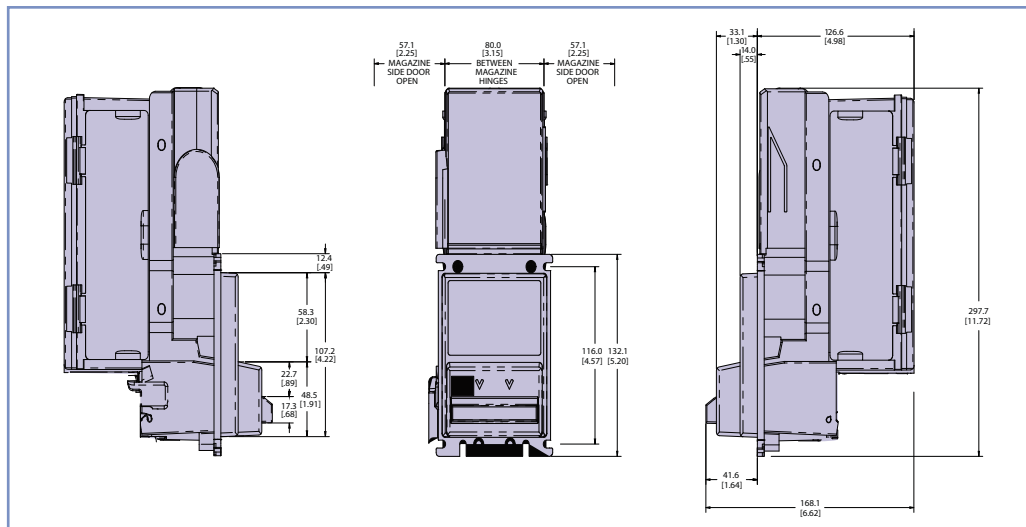
### Environment

- Operating temperature: -15° C to 60° C
- Storage temperature: -40° C to 70° C



The MEI coupon program provides custom and generic coupons for free vends or dollar-value vends.

## VN 2700 WITH COMPACT BEZEL



The fully enclosed, optical sensors ensure consistent, high-quality recognition, security and value.

**MEI Corporate Headquarters**  
 1301 Wilson Drive  
 West Chester, Pennsylvania 19380  
 1-610-430-2700  
 1-800-345-8215

**mei**  
 www.meigroup.com

The MEI Device and MEI CASHFLOW are trademarks of MEI. Information is subject to change without notice. MEI has made every effort to ensure that the information in this document is accurate. However, we cannot be held responsible for any errors or omissions.

© 2009 MEI. All rights reserved. 7/09

**FSC** Mixed Sources  
 Cert no SW-COC-002607  
 © 1996 FSC

MEI is ISO 9001:2000 Certified