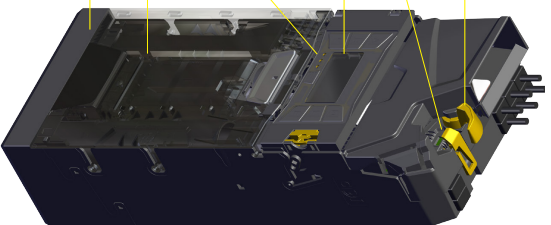


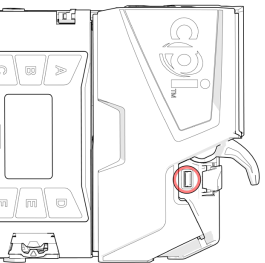
## COMPONENTS

- COIN RETURN**  
Press to reject a coin, and open the acceptor door.
- ACCEPTOR LATCH**  
Pull to open the acceptor assembly.
- MMI**  
The mid-machine interface is used to interact with and update the coin manager.
- STATUS LEDs**  
Indicate the status of the coin manager with red, amber and green LEDs.
- CASSETTE**  
Stores and routes coins for dispensing as change.
- DISPENSER**  
Dispenses coins being returned as change.



## AUDIT AND FIRMWARE

By using the MicroUSB port shown below, you can insert a USB to collect audit files or update the Gryphon's firmware with a pre-configured USB stick.

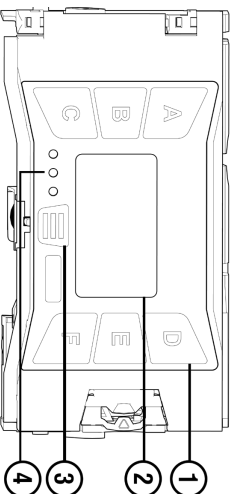


## OTHER PRODUCT DOCUMENTATION

All other support documentation can be found at [CranePI.com/support](http://CranePI.com/support).

Scan 	Log In 	Tap Support 	Tap Add a Product Then Use the filters or scroll to find Tags	Tap View Downloads Then Choose your Document
----------	------------	-----------------	--	---

## MMI KEYPAD FEATURES



Number	Keypad Item	Description
1	A-F Letter Keys	Coin Dispense and menu navigation
2	Display	Menu and Error Messages
3	≡ Key	Access service and set-up menus
4	Status LEDs	Red, Amber and Green

## SERVICE MODE OPTIONS

Press ≡ to view commonly used Service Mode options; further options are available in the Setup menu.

Service Mode Navigation	Action
≡ A	Par Coin Tubes
≡ D ≡	Custom cassette set up
≡ D then 3 Letter-Keys	Predefined cassette (Code can be found on the front of the cassette)
≡ E	Basic set up menu
≡ ≡	Audit

## CPI SVNO

Gryphon ships with an MDB cable and a four-pin CPI SVNO cable installed. The CPI SVNO cable connects to a CPI SVNO (pictured below), which enables bluetooth communication with Gryphon via the Smpill App.



When not in use, tie off the CPI SVNO cable, or route the cable in a way that will not impede the vendor's operation.

## LED LIGHT CODES

The Status LEDs provide at-a-glance information about the unit's health.

Sequence	Meaning
● Steady On	Gryphon is working properly
●● Cycles 5x	Boot up sequence
● One Flash	Coin accepted
●● Two Flashes	Coin rejected
●● Three Flashes	Coin rejected/inhibited by machine
● Slow Flash after pressing ≡	Gryphon in Service/Set-up mode
● Fast Flash after pressing ≡	Audit processing/Firmware
● Steady On	Gryphon inhibited by VMC
● One Flash	Coin Return Pressed
● Two Flashes	Acceptor Error
● Three Flashes	Cassette Error
● Four Flashes	Dispenser error
●● Alternating	Unit failure, replace

## SUPPORT

For service information, or the name of the authorized service center nearest you, contact:

**CPI Customer Service** 1-800-343-8213  
**CPI Technical Support** 1-800-343-8172  
[CranePI.com/support](http://CranePI.com/support)

## COMPLIANCE

This device complies with part 15 of the FCC rules. Operation is subject to the following two conditions: (a) This device may not cause harmful interference, and (b) this device must accept any interference received, including interference that may cause undesired operation.

Except as permitted under the relevant local legislation, no part of this publication may be copied, transmitted, transcribed, or distributed in any form or by any means, or stored in a database or retrieval system, or translated in any language (natural or computer), without the prior written permission of CPI.

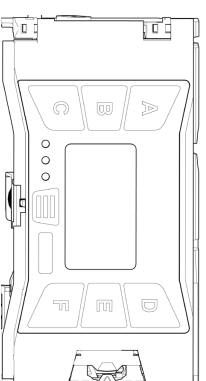
CPI reserves the right to change the product or the product specifications at any time. While every effort has been made to ensure that the information in this publication is accurate, CPI disclaims any liability for any direct or indirect losses (howsoever caused) arising out of use or reliance on this information. This document does not necessarily imply product availability. Note: Your product may differ slightly from some of the illustrations in this document.

CPI Corporate Headquarters  
 3222 Phoenixville Pike  
 Suite 200  
 Malvern, PA 19355  
[CranePI.com](http://CranePI.com)



## GRYPHON QUICK REFERENCE GUIDE

### GENERAL KEYPAD OPERATION



Gryphon's MMI Screen has been designed with the end-user in mind. The MMI updates its interface as needed in each section. Always use the on-screen guidance, but when in doubt, this chart lists general sub-menu navigation tips.

When you are not using a menu, pressing a letter key dispenses a coin from the corresponding tube.

### MENU KEYPAD OPERATION

Navigation	Key
Scroll Up	D
Scroll Down	E
Move Left	A
Move Right	B
Next Page	F
Previous Page	C
Display previous menu level	Press ≡ once
Return to the home screen	Hold ≡ for three seconds

## SETUP MENU ITEMS

Press  $\equiv$  E to view the Setup menu.

Option	Meaning
Par	Change the mode, target levels, target value and create a stopwatch
Change Management	Update the cassette tube fill level and payout mix
Machine Options	- Change: MDB level, safe count, float coins, coin scaling, decimal point reporting and country code - View coin counts
Coin Config	Change setup for individual coins and update exchange rate
Audit Config	View audit info
General	Calibrate tubes, change accepted currency, set the Clean Me level, and update general Gryphon interface settings
Error Log	View recent errors
Test	Run tests to confirm optimal operation
Language	Change the language

## SYMBOLS

Symbol	Meaning
	Menu Navigation
	Gryphon is OK
	Gryphon requires assistance
	Gryphon requires replacing
	Connected via USB to PC
	Connected to USB
	Error

## CASSETTE CUSTOMIZATION

There are two methods to configure the cassette. **Please note: The cassette must be empty before proceeding.**

### Cassette Code

If you are changing the full cassette, press  $\equiv$  CASSETTE, then:

1. Enter the code located on the front of the cassette (e.g. AAB, see chart below)
2. Press SAVE - If the code is not recognized, follow the Custom Cassette steps below
3. When prompted, press START to calibrate

Code	Tube A	B	C	D	E	F
AAA	.25	.05	.25	.25	.25	.25
AAB	.25	.05	.25	.10	.25	.25
AAC	.25	.05	.25	.10	.25	1.00
AAD	1.00	.05	.25	.10	.25	1.00
AAE	.25	.10	.05	.10	.05	.25
AAF	1.00	.05	.25	.10	.05	.25

This chart is subject to change. If the code is not recognized, enter the your selection manually, as shown in the Creating a Custom Cassette section below.

### Creating a Custom Cassette

Follow these steps if the code is not recognized or to change individual tubes. Press  $\equiv$  CASSETTE, then:

1. Select CUSTOM
2. Use the MMF to choose the tube (A-F) you'd like to edit
3. Scroll through the coin list and select your coin
4. Press SAVE to program the tube
5. When all tubes have been programmed, press  $\equiv$
6. When prompted, press START to calibrate

## MAX FILL LEVELS

Gryphon will automatically route coins beyond the levels below to the cash box. When filling the Gryphon manually, take care to not to fill beyond the manual limit.

Coin	.05	.10	.25	1.00
Automated	68	98	74	62
Manual	79	111	88	75

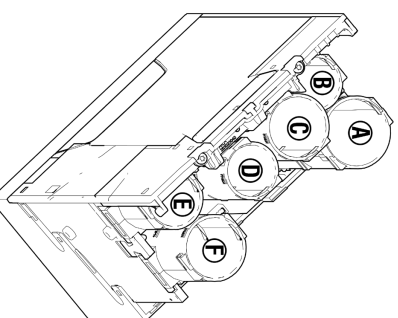
Code	Automated Filling	Manual Filling
AAA	\$95.90	\$113.95
AAB	\$87.20	\$103.05
AAC	\$130.70	\$156.05
AAD	\$174.20	\$209.05
AAE	\$63.40	\$74.10
AAF	\$115.60	\$138.00

## TUBE RESTRICTIONS

Gryphon's safe count is three coins per tube. These three safe count coins are the minimum number of coins needed to ensure normal operation.

Gryphon can be custom configured by removing any of the coin tubes and replacing them with another denomination tube, but there are some restrictions:

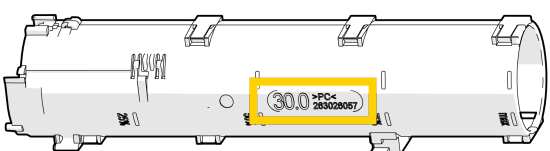
- \$1 tubes cannot be used in positions B and D (See image below)
- \$10 tubes cannot be used in position C
- \$2 tubes cannot be used in position B, D and E (Canada Only)



## TUBE DIAMETERS

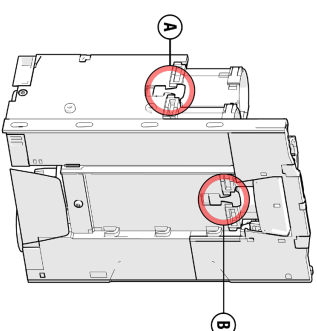
Gryphon tubes are identifiable by the diameter marking on the side of each tube. The chart below will help you identify which diameter tube to use with each coin. In this example, the 30mm tube should be used with the \$2 Canadian Coin.

Coin	Diameter
\$1.10	19.5mm
\$0.05	22.5mm
\$0.25	25.5mm
\$1.00	27.5mm
\$2.00 (CAN)	30mm

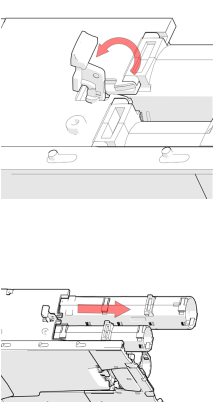


## CHANGING A TUBE

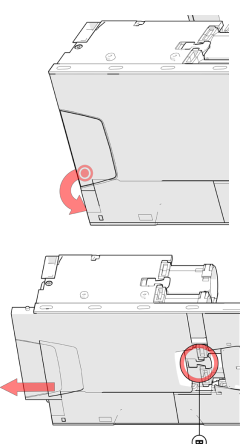
Locate the tube locks. The AB and EF tubes are locked on their respective sides (A) and the CD tubes are locked in the center (B) of the cassette.



The AB and EF tubes can be changed by unlocking the side latch, then lifting the tube to remove. The tubes should be empty prior to removal.



The C and D tube lock (B) is located behind the cassette cover. To access the C and D tube lock, grab the cover by right side of the cassette label, pull outward, then pull down to remove.



Once the cassette cover is removed, remove the tube following the same process as the AB and EF tubes.